



## Turbo Liquidisers TBXPro motor, variable speed

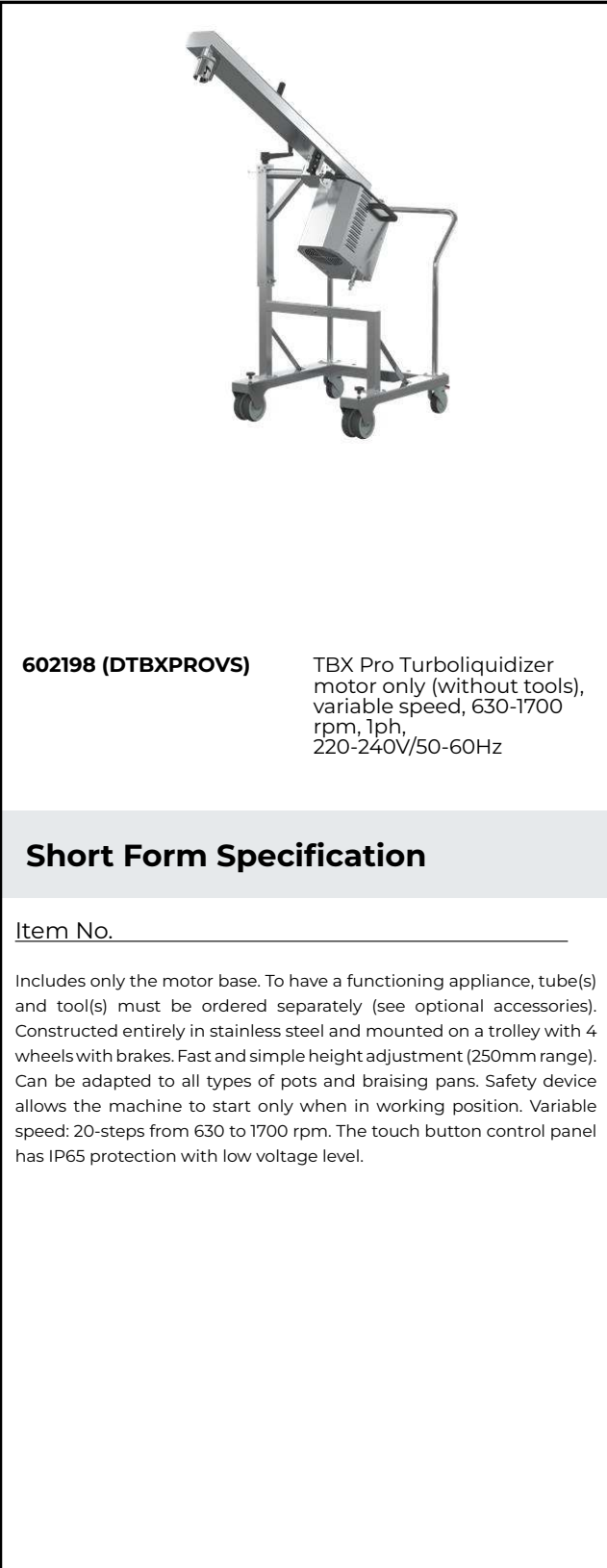
ITEM # \_\_\_\_\_

MODEL # \_\_\_\_\_

NAME # \_\_\_\_\_

SIS # \_\_\_\_\_

AIA # \_\_\_\_\_



**602198 (DTBXPPOVS)**

TBX Pro Turboliquidizer motor only (without tools), variable speed, 630-1700 rpm, 1ph, 220-240V/50-60Hz

### Short Form Specification

Item No. \_\_\_\_\_

Includes only the motor base. To have a functioning appliance, tube(s) and tool(s) must be ordered separately (see optional accessories). Constructed entirely in stainless steel and mounted on a trolley with 4 wheels with brakes. Fast and simple height adjustment (250mm range). Can be adapted to all types of pots and braising pans. Safety device allows the machine to start only when in working position. Variable speed: 20-steps from 630 to 1700 rpm. The touch button control panel has IP65 protection with low voltage level.

APPROVAL: \_\_\_\_\_

### Main Features

- It can be plugged directly to a braising pan or any other 1-phase plug.
- Used to mix, blend and emulsify vegetable and soups, fruit and vegetable purées, liquid pastries, sauces and much more directly in cooking pots/containers.
- Includes only the motor base. To have a functioning appliance, tube(s) and tool(s) must be ordered separately (see optional accessories).
- Adapt to all types of cooking containers and rim heights, with 3 tube lengths (348 mm for braising pans, 448 mm or 568 mm) and 4 tools for soup/puree (deep pots/braising pans).
- Wide speed adjustment range (20 steps) allows to adapt to any processing type, starting slow and increasing speed gradually.
- Equipped with crank handle for fast and easy height adjustment.
- Mixer tube is easily removable without tools and can be dismantled in separate parts: tube, shaft, bearing and rotor.
- All components of tube and head are in stainless steel and dishwasher safe (excluding bearings).
- Safety device allows the machine to start only when it is in a working position.
- Suggested for pans containing up to 700 liters of liquid or up to 200 kg of potatoes.
- Turbine accelerates the flow of the liquid over the impeller providing a greater throughput and finer grinding.
- For mash prepared with potatoes, using specific puree tool (see optional accessories).

### Construction

- Constructed entirely in stainless steel to offer maximum durability.
- Equipped with 4 m power cord without plug. Schuko plug included (not mounted).
- Variable speed: 20-steps from 630 to 1700 rpm.
- Power: 1500 watts.
- Mounted on a mobile stainless steel trolley (4 wheels with brakes). Storage position: fold down motor/arm to save space.
- Trolley with support to store up to two tubes (with assembled tool).
- CE approved (Machine Directive) with EN test report from third party notified body.
- IP65 waterproof control panel, IP23 throughout the entire machine.
- 250mm height adjustment range for the motor body. Different tube lengths allow to adapt to pot depths (see optional accessories).
- All parts in contact with food are conform to 1935/2004/EC.

Turbo Liquidisers  
TBXPro motor, variable speed



## Turbo Liquidisers TBXPro motor, variable speed

### Included Accessories

- 1 of PLUG SCHUKO 2P+T PNC 653824

### Optional Accessories

- TBXPRO SOUP GRID, HOLE DIAM. 8-10 MM PNC 650168
- TBX Pro SOUP HEAD (WITHOUT TUBE) PNC 650172
- TBX Pro PUREE HEAD FOR BRAISING PAN (WITHOUT TUBE) PNC 650173
- TBX Pro MEDIUM TUBE 448 MM PNC 650175
- TBX Pro LONG TUBE 568 MM PNC 650176
- TBX Pro PUREE HEAD (WITHOUT TUBE) PNC 650177
- SOUP GRID FOR TURBO LIQUIDISERS PNC 653507
- BRAISING PAN KIT FOR TURBO LIQUIDISERS PNC 653521
- TBXPRO SHORT TUBE 348 MM - WITH DEFLECTOR PNC 653821



Turbo Liquidisers  
TBXPro motor, variable speed

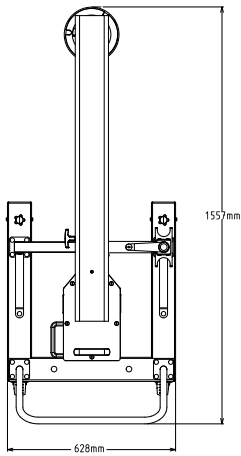
The company reserves the right to make modifications to the products without prior notice. All information correct at time of printing.

2026.06.05

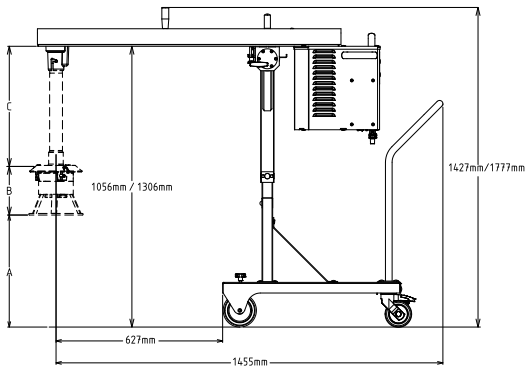


# Turbo Liquidisers TBXPro motor, variable speed

Top

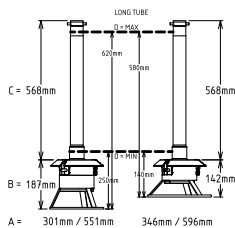
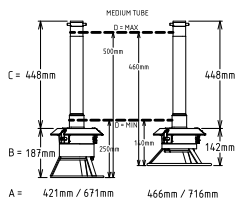
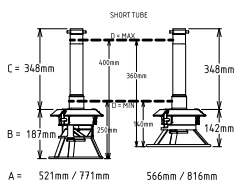


Side



EI = Electrical inlet (power)

Other



Electric

<b>Supply voltage:</b>	220-240 V/1 ph/50/60 Hz
<b>Electrical power max.:</b>	1.5 kW
<b>Total Watts:</b>	1.5 kW
<b>Plug type:</b>	Cable without plug

Key Information:

<b>External dimensions, Width:</b>	628 mm
<b>External dimensions, Depth:</b>	1556 mm
<b>External dimensions, Height:</b>	1122 mm
<b>Net weight:</b>	80 kg
<b>Shipping weight:</b>	94 kg
<b>Height adjustment:</b>	1122/1372 mm
<b>Approvals</b>	CB;CE;UKCA
<b>Waterproof index:</b>	IP23
<b>Number of speeds:</b>	20
<b>Rotation speed:</b>	



Turbo Liquidisers  
TBXPro motor, variable speed

The company reserves the right to make modifications to the products without prior notice. All information correct at time of printing.

2026.06.05